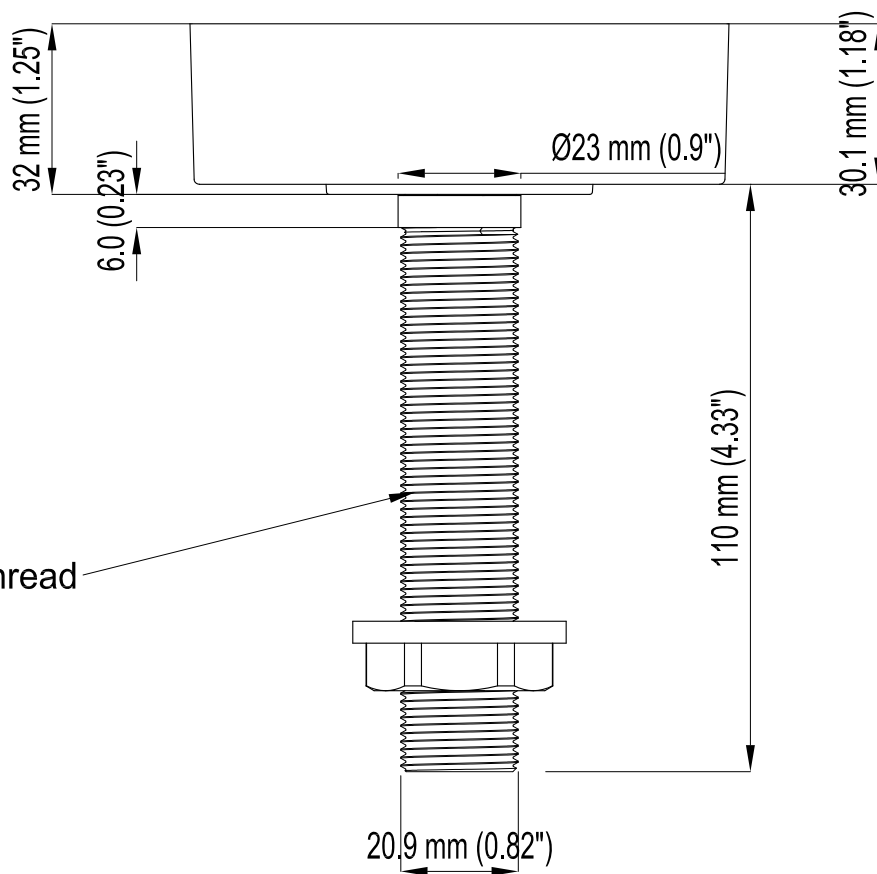
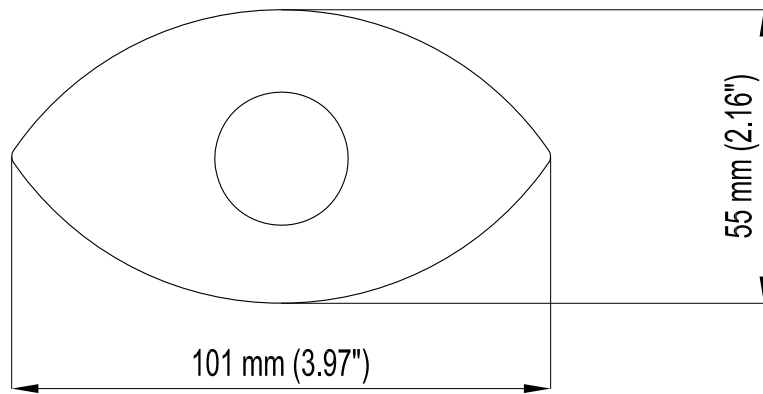


25 mm (0.98") HOLE SIZE



ISO 228-G 1/2" thread